



9050559x

Dahlia LED spot Bits2Power® or DMX/RDM

Product description

- High-reliability LED sources
- Bits2Power® or DMX/RDM version (B2P Power supply: PDC600)
- Rugged construction
- Multiple configurable options
- Flexible optic options
- 3 or 4 channel version available
- Multiple LED colors available
- 3 Year Warranty
- CE certified
- IP66

Applied Standards

EN55022

EN55024

Typical Applications

- Architectural lighting
- Accent lighting

Technical notes

Dimensions (mm)	206 x 117 x 191
Weight (kg)	2,5
Housing	Aluminum
Finish	Powder coating RAL9006 ①
Front cover	Hardened glass

Ordering data

See *part numbering and ordering information table*

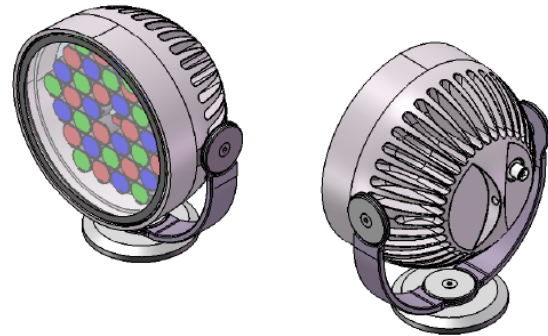
① Custom colors on request

② Maximum value

③ Tolerance of 5%

④ Only connected in DMX/RDM configuration

⑤ RGB channels adjusted to 6500K



(RGB Dahlia, picture for reference only)

Electrical Characteristics

Input voltage ③	48 Vdc
Input Power ②	50 W
Dimming range	0 – 100%

Protections

Reversed polarity	Positive ↔ Negative
Overheating Protection	Output derating

Connections

Input voltage	Negative	Pin 1	0V
Input voltage	Positive	Pin 2	48V③
DMX/RDM	Data -	Pin 3	(- / B / 'Cold')
DMX/RDM	Data +	Pin 4	(+ / A / 'Hot')
Shield④	Cable's shield	Pin 5	

(Cable connector included)



Technical details

Leds	Number of LEDs	36
	PWM frequency	920 Hz
	LED current	350 mA
Input	DC voltage Range	45,6..50,4 V
	Maximum Power	50 W
	Standby Power	4,5 mW (B2P stby) 450 mW (DMX stby)
Protection	Over Current	Input protected by unrecoverable fuse
	Over Voltage	Input protected by TVS diode
	Over Temperature	50°C (Output derating)
	Withstand Voltage	I/P-O/P: 0,5kV
Safety & EMC	Isolation Resistance	I/P-FG:>100Ω/ 500VDC/ 25°C/70% RH
	EMI	EN55022 (CISPR22)
	EMS IMMUNITY	EN55024, EN61000-4-2, 3, 4, 5, 6, 11

Thermal Characteristics

The LED fixture must operate under proper environmental conditions and the operating ambient air temperature must NOT exceed the maximum given temperature.

It's not recommended to expose the module to direct sunlight or any other heat source.

Environmental characteristics

Storage temperature	-20 – +70°C
Operating temperature	-20 – +40°C
Operating humidity	10-95% RH
IP classification	IP67

Minimum Photometric Performance

Color	3-channel	4-channel
Red (lm)	263	197
Green (lm)	398	298
Royal Blue (lm)	120	90
White (lm)	538 ☉	900

Installation and Safety Information

Installation must be carried out under observation of the relevant regulations and standards. The following advice must be followed:

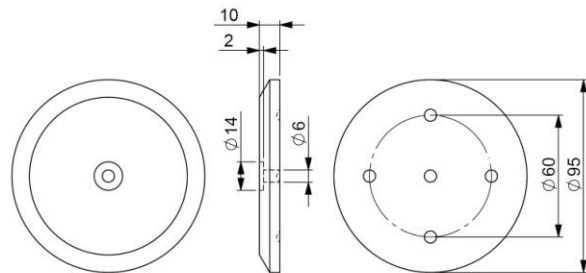
- See PDC600 controller manual for B2P system installation details.
 - Use cable with minimum AWG 20 for the power leads.
 - Please ensure the correct polarity of the leads.
 - For outdoor or damp locations, be aware of the IP classification.
- All above specifications must be met in order to qualify for the 3 year warranty.

System power supply

Model	Maximum power
PDC600	600W

Accessories

Mounting plate	88405501-20
----------------	-------------

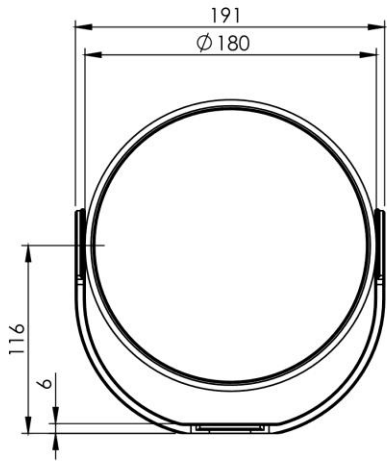


Packaging

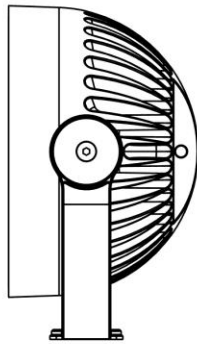
Box size (mm)	400 x 300 x 210
Quantity each Box	1
Weight each box (kg)	3,1

Mechanical Dimensions

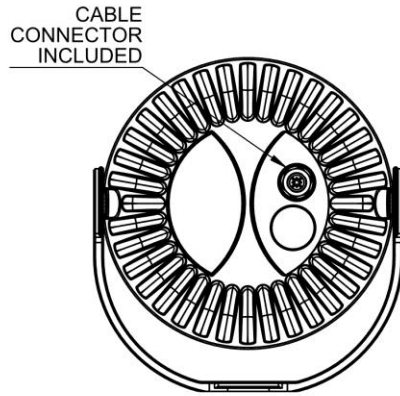
Overall dimensions	Depth = 117 [±] mm x Diameter = 180 mm Height = 206 [±] mm
--------------------	---



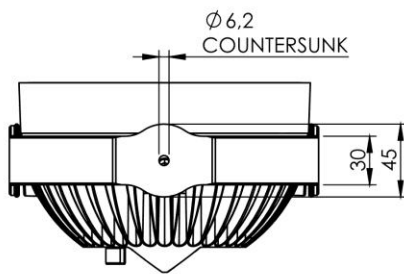
FRONT



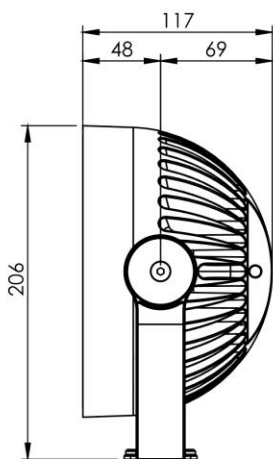
SIDE



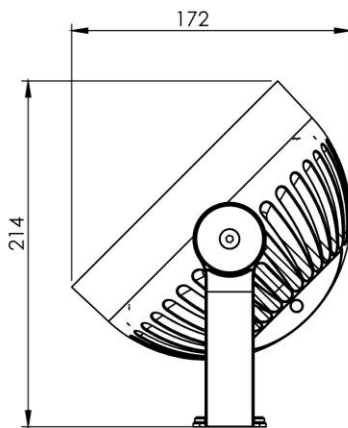
BACK



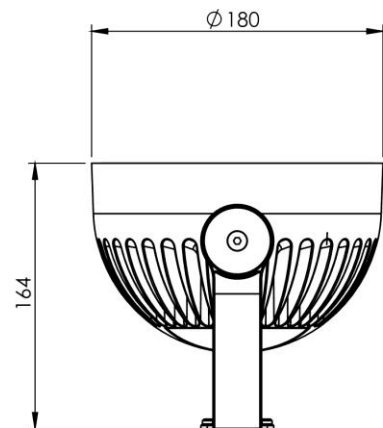
BOTTOM



SIDE 0° POS.



SIDE 45° POS.



SIDE 90° POS.

Part Numbering & Ordering Information

1. Version

05595 = 3 channel
05596 = 4 channel

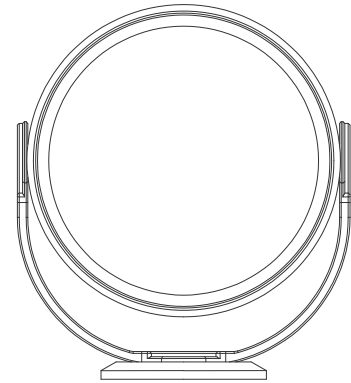
2. LED color

0 = Royal Blue
1 = Cyan
2 = Red
3 = Red-Orange
4 = Amber
5 = Green
6 = Blue
7 = Neutral White
8 = Warm White
9 = Cool White

3. Collimator

C = Narrow Beam 9°
D = Narrow Beam Frost 12°
E = Medium Beam Ripple 30°
F = Medium Beam Frost 18°
G = Wide Beam 45°
H = Wide Beam Frost 35°
K = Linebeam 0° 48° x 10°
L = Linebeam 90° 10° x 48°
 Beam angle is FWHM White

◀ Linebeam 0° ▶



905	05595	.	A	250-	E-	-	U	181	7	H	67	T	---	1
	1			2	3	4	5		6					7

4. Louvre

0 = With Louvre
 - = Without Louvre

5. Led colors

J = 1 Color DMX/RDM
K = 2 Color DMX/RDM
L = 3 Color DMX/RDM
M = 4 Color DMX/RDM
S = 1 Color B2P
T = 2 Color B2P
U = 3 Color B2P
V = 4 Color B2P

6. Finishing

7 = RAL9006 (standard)
 - = Custom

7. Configuration

0 = Demo
1 = 0% light output
2 = 50% light output
3 = 100% light output

Example: 90505595.A250-E-U1817H67T---1

Explanation:

90505595	3 channel B2P Dahlia
.A	Revision
250-	Channel1 = Red, Channel2 = Green, Channel3 = Royal blue, Channel4 = not available!
E-	Medium Beam optics
-	No louvre
U	3 Color B2P
181	Standard value
7	RAL9006
H	Hardened glass cover
67	IP67 protection
T	Connector on the Back
---	Characters not used for this product family
1	No light output (0%) when no communication is applied