



90519055

Vincent Ledline Bits2Power® 1 Channel 15cm

Product description

- High-reliability LED sources
- Bits2Power® driver integrated (B2P Power supply: PDC600)
- Rugged construction
- 1 channel
- Multiple LED colors available
- 15cm model
- Multiple configurable options
- Flexible optic options
- 3 Year Warranty
- CE certified
- IP66

Applied Standards

EN55022
EN55024

Typical Applications

- Architectural lighting
- Accent lighting

Technical notes

Dimensions (mm)	156 x 59,5 x 46,5
Weight	See technical details
Housing	Aluminum
Finish	Powder coating RAL9006 ①
Front cover	Hardened glass

Ordering data

See *part numbering and ordering information table*

① Custom colors on request

② Tolerance of 5%



(15 cm Vincent, picture for reference only)

Electrical Characteristics

Input voltage ②	48 Vdc
Input Power	See technical details
Dimming range	0 – 100%

Protections

Reversed polarity	Positive ↔ Negative
Overheating Protection	Output derating

Connections

Input voltage	Negative	Pin 1	0V
Input voltage	Positive	Pin 2	48V②



Technical details

Leds	Number of LEDs	4
	PWM frequency	920 Hz
	LED current	500 mA
Input	DC voltage Range	45,6..50,4 V
	Maximum Power	8,1 W
	Standby Power	1,6 mW
Protection	Over Current	Input protected by unrecoverable fuse
	Over Voltage	Input protected by TVS diode
	Over Temperature	50°C (Output derating)
	Withstand Voltage	I/P-O/P: 0,5kV
Safety & EMC	Isolation Resistance	I/P-FG:>100Ω/ 500VDC/ 25°C/70% RH
	EMI	EN55022 (CISPR22)
	EMS IMMUNITY	EN55024, EN61000-4-2, 3, 4, 5, 6, 11

Thermal Characteristics

The LED fixture must operate under proper environmental conditions and the operating ambient air temperature must NOT exceed the maximum given temperature.

It's not recommended to expose the module to direct sunlight or any other heat source.

Environmental characteristics

Storage temperature	-20 – +70°C
Operating temperature	-20 – +40°C
Operating humidity	10-95% RH
IP classification	IP66

Installation and Safety Information

Installation must be carried out under observation of the relevant regulations and standards. The following advice must be followed: See PDC600 controller manual for B2P system installation details.

- Use cable with minimum AWG 20 for the power leads.
 - Please ensure the correct polarity of the leads.
 - For outdoor or damp locations, be aware of the IP classification.
- All above specifications must be met in order to qualify for the 3 year warranty.

Packaging

Box size (mm)	270 x 80 x 68
Quantity each Box	1
Weight each box(kg)	0,9

Photometric Performance

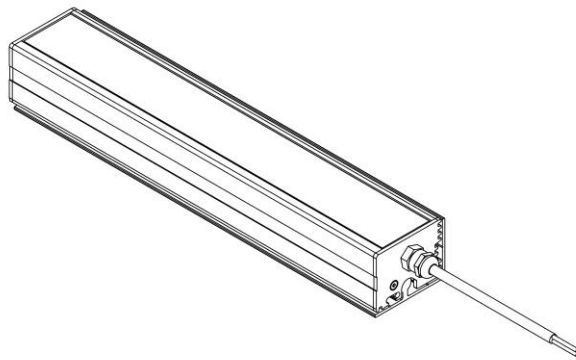
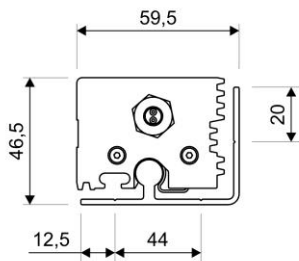
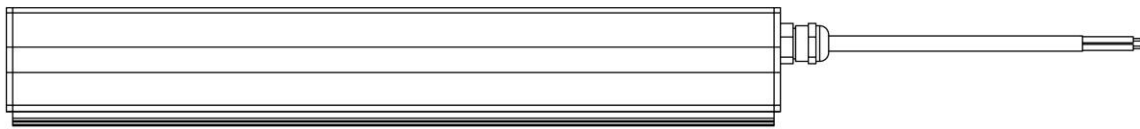
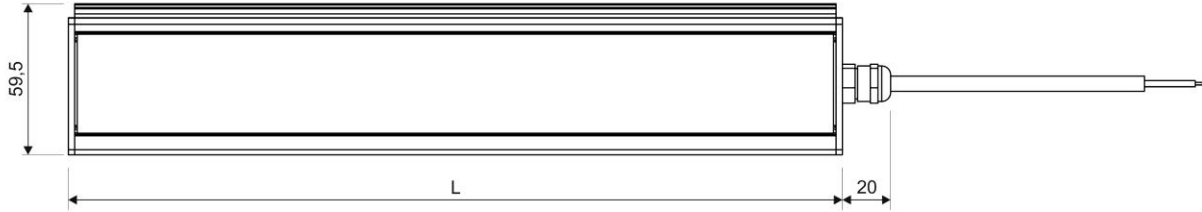
Red (lm)	Tbd
Green (lm)	Tbd
Royal Blue (lm)	Tbd

System power supply

Maximum power	600W
---------------	------

Mechanical Dimensions

Model (cm)	L
Size (mm)	156 x 59,5 x 46,5



Part Numbering & Ordering Information

1. Version

19055 = 1 channel 15cm

2. LED color

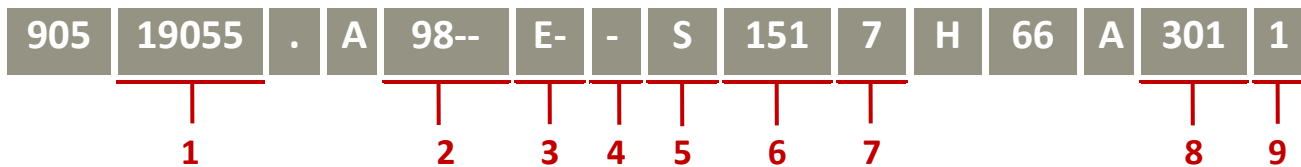
0 = Royal Blue
1 = Cyan
2 = Red
3 = Red-Orange
4 = Amber
5 = Green
6 = Blue
7 = Neutral White
8 = Warm White
9 = Cool White

3. Collimator

C = Narrow Beam 9°
D = Narrow Beam Frost 12°
E = Medium Beam Ripple 30°
F = Medium Beam Frost 18°
G = Wide Beam Ripple 45°
H = Wide Beam Frost 35°
K = Linebeam 48 x 10°
 Beam angle is FWHM White

4. Louvre

0 = With Louvre
 - = Without Louvre



5. Led colors

S = 1 Color

6. Length (L)

151 = 156 mm

7. Finishing

7 = RAL9006 (standard)
 - = Custom

8. Cable length

301 = 3 m

9. Configuration

0 = Demo
1 = 0% light output
2 = 50% light output
3 = 100% light output

Example: 90519055.A98--E—S1517H66A3011

Explanation:

90519055	1 channel version 15cm B2P Vincent line
.A	Revision
9--	Cool White
E-	Medium Beam optics
-	No louvre
S	1 Color
151	306 cm length (30 cm + end covers)
7	RAL9006
H	Hardened glass cover
66	IP66 protection
A	Connector on 1 side
301	3 m Cable length
1	No light output (0%) when no communication is applied