



# 90519054

Vincent Ledline Bits2Power® 1 or 2 Channel

### Product description

- High-reliability LED sources
- Bits2Power® driver integrated (B2P Power supply: PDC600)
- Rugged construction
- 1 or 2 channel version
- Multiple LED colors available
- 30, 60, 90 and 120 cm model available
- Multiple configurable options
- Flexible optic options
- 3 Year Warranty
- CE certified
- IP66

### Applied Standards

EN55022

EN55024

### Typical Applications

- Architectural lighting
- Accent lighting

### Technical notes

Dimensions (mm)	L x 59,5 x 46,5 ①
Weight	See technical details
Housing	Aluminum
Finish	Powder coating RAL9006②
Front cover	Hardened glass

### Ordering data

See *part numbering and ordering information table*

① L= Length (see Ordering Data)

② Custom colors on request

③ Tolerance of 5%

④ Data based on 30 cm model



(30 cm Vincent, picture for reference only)

### Electrical Characteristics

Input voltage ③	48 Vdc
Input Power	See technical details
Dimming range	0 – 100%

### Protections

Reversed polarity	Positive ↔ Negative
Overheating Protection	Output derating

### Connections

Input voltage	Negative	Pin 1	0V
Input voltage	Positive	Pin 2	48V③



Technical details		All models	30 cm	60 cm	90 cm	120 cm
Leds	Number of LEDs		8	16	24	32
	PWM frequency	920 Hz				
	LED current	500 mA				
Input	DC voltage Range	45,6..50,4 V				
	Maximum Power		16 W	31 W	47 W	62 W
	Standby Power		2,6 mW	4,6 mW	6,6 mW	8,5 mW
Protection	Over Current	Input protected by unrecoverable fuse				
	Over Voltage	Input protected by TVS diode				
	Over Temperature	50°C (Output derating)				
	Withstand Voltage	I/P-O/P: 0,5kV				
Safety & EMC	Isolation Resistance	I/P-FG:>100Ω/ 500VDC/ 25°C/70% RH				
	EMI	EN55022 (CISPR22)				
	EMS IMMUNITY	EN55024, EN61000-4-2, 3, 4, 5, 6, 11				

### Thermal Characteristics

The LED fixture must operate under proper environmental conditions and the operating ambient air temperature must NOT exceed the maximum given temperature.

It's not recommended to expose the module to direct sunlight or any other heat source.

### Environmental characteristics

Storage temperature	-20 – +70°C
Operating temperature	-20 – +40°C
Operating humidity	10-95% RH
IP classification	IP66

### Installation and Safety Information

Installation must be carried out under observation of the relevant regulations and standards. The following advice must be followed: See PDC600 controller manual for B2P system installation details.

- Use cable with minimum AWG 20 for the power leads.
- Please ensure the correct polarity of the leads.
- For outdoor or damp locations, be aware of the IP classification.

All above specifications must be met in order to qualify for the 3 year warranty.

### Packaging

Model (cm)		30	60	90	120
Box size (mm)	L x 80 x 68	420	720	1020	1320
Quantity each Box		1	1	1	1
Weight each box(kg)		1,3	2,3	3,3	4,3

### Photometric Performance ④

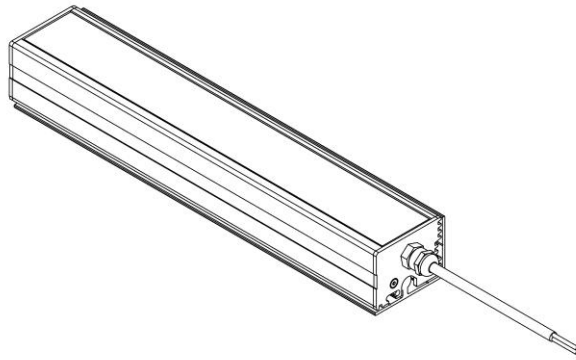
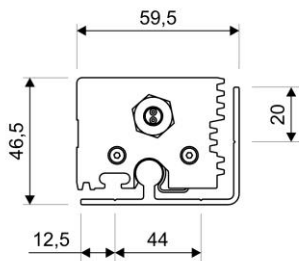
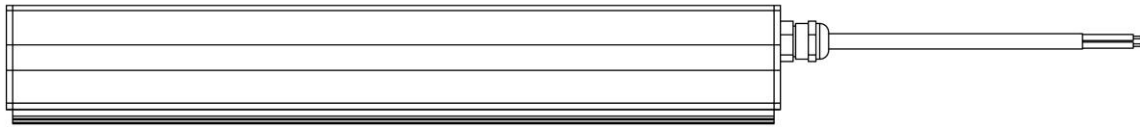
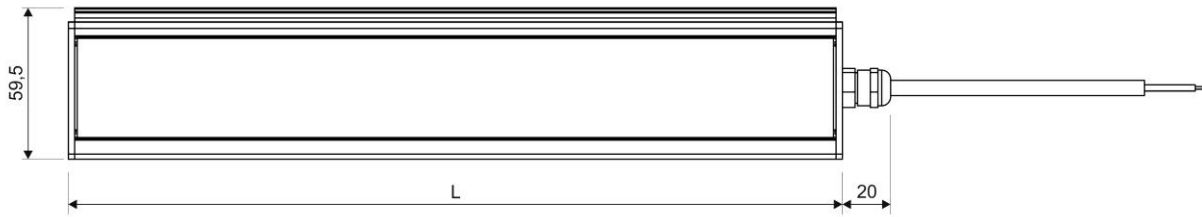
Red (lm)	Tbd
Green (lm)	Tbd
Royal Blue (lm)	Tbd

### System power supply

Maximum power	600W
---------------	------

### Mechanical Dimensions

Model (cm)		30	60	90	120
Size (mm)	L x 59,5 x 46,5	306	606	906	1206



## Part Numbering & Ordering Information

### 1. Version

**19054** = 1 or 2 channel

### 2. LED color

**0** = Royal Blue  
**1** = Cyan  
**2** = Red  
**3** = Red-Orange  
**4** = Amber  
**5** = Green  
**6** = Blue  
**7** = Neutral White  
**8** = Warm White  
**9** = Cool White

### 3. Collimator

**C** = Narrow Beam 9°  
**D** = Narrow Beam Frost 12°  
**E** = Medium Beam Ripple 30°  
**F** = Medium Beam Frost 18°  
**G** = Wide Beam Ripple 45°  
**H** = Wide Beam Frost 35°  
**K** = Linebeam 48 x 10°  
 Beam angle is FWHM White

### 4. Louvre

**0** = With Louvre  
**-** = Without Louvre



### 5. Led colors

**S** = 1 Color  
**T** = 2 Color

### 6. Length (L)

**306** = 306 mm  
**606** = 606 mm  
**906** = 906 mm  
**1206** = 1206 mm

### 7. Finishing

**7** = RAL9006 (standard)  
**-** = Custom

### 8. Cable length

**301** = 3 m

### 9. Configuration

**0** = Demo  
**1** = 0% light output  
**2** = 50% light output  
**3** = 100% light output

Example: 90519054.A98--E--T3067H66A3011

#### Explanation:

90519054	1 or 2 channel version B2P Vincent line
.A	Revision
98--	Channel1 = Cool White, Channel2 = Warm White
E-	Medium Beam optics
-	No louvre
T	2 Colors
306	306 cm length ( 30 cm + end covers)
7	RAL9006
H	Hardened glass cover
66	IP66 protection
A	Connector on 1 side
301	3 m Cable length
1	No light output (0%) when no communication is applied