

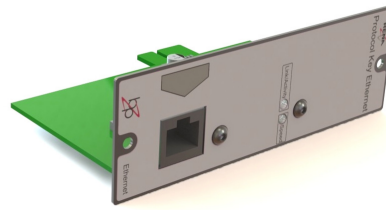


90519007

BITS2POWER® ETHERNET COMMUNICATION KEY

Product description

- ETHERNET communication interface
- 10/100Mb
- Power and activity / Link LED
- 3 Year Warranty
- CE certified
- IP20



Applied Standards

EN55022
EN55024

Technical notes

Dimensions	115x80x38mm
Weight	170 gr.
Housing	Stainless Steel 430
Color	Blanc

Ordering data

Type	Article number
ETHERNET key	90519007

Electrical Characteristics

ETHERNET connection	10/100Mb base-T
LED	Activity / Link

Protections

Current protection	Output current limited
Over voltage	Internally protected

Connections

ETHERNET	RJ-45
----------	-------

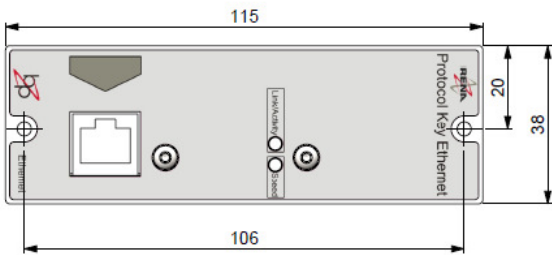
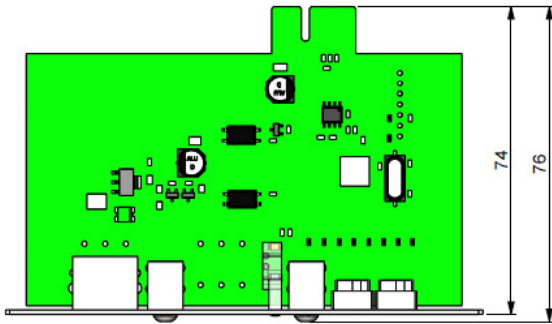
Technical details

I/O	Speed	10/100 Mb
	Connection	full duplex
Protection	Line separation	IEEE802.3
	Withstand Voltage	I/P-O/P: 0,5kV
Safety & EMC	Isolation Resistance	I/P-FG: >100MΩ / 500VDC/ 25°C/ 70%RH
	EMI	EN55022 (CISPR22)
	EMS IMMUNITY	EN55024, EN61000-4-2, 3, 4, 5, 6, 11



Mechanical Dimensions

Overall dimensions	L = 115 x W = 80 mm Height = 38 mm
--------------------	---------------------------------------



Environmental characteristics

Storage temperature	-20 – +85°C
Operating temperature	- 5 – +40°C
Operating humidity	10-95% RH
IP classification	IP20

Installation and Safety Information

Installation must be carried out under observation of the relevant regulations and standards. The following advice must be followed:

- See PDC600 controller manual for system installation details.
 - The device contains components that are sensitive to electrostatic discharge and may only be installed in the factory and on site if appropriate EOS/ESD protection measures have been taken.
 - For outdoor or damp locations, be aware of the IP classification.
- All above specifications must be met in order to qualify for the 3 year warranty.

Packaging

Box size (mm)	127x80x48 mm
Quantity each Box	1
Weight each box (kg)	0,1 kg

Installation

Use screwdriver type PH1 for mounting screws.

Electrical connections

ETHERNET	RJ-45	10/100Mb
----------	-------	----------