



90510087

Vincent Ledline Bits2Power® 3 Channel

Product description

- High-reliability LED sources
- Bits2Power® driver integrated (B2P Power supply: PDC600)
- Rugged construction
- 3 channel version
- Multiple LED colors available
- 30, 60, 90 and 120 cm model available
- Multiple configurable options
- Flexible optic options
- 3 Year Warranty
- CE certified
- IP66

Applied Standards

- EN55022
- EN55024

Typical Applications

- Architectural lighting
- Accent lighting

Technical notes

Dimensions (mm)	L x 59,5 x 46,5 ①
Weight	See technical details
Housing	Aluminum
Finish	Powder coating RAL9006②
Front cover	Hardened glass

Ordering data

See *part numbering and ordering information table*

- ① L= Length (see Ordering Data)
- ② Custom colors on request
- ③ Tolerance of 5%
- ④ Data based on 30 cm model



(30cm Vincent, picture for reference only)

Electrical Characteristics

Input voltage ③	48 Vdc
Input Power	See technical details
Dimming range	0 – 100%

Protections

Reversed polarity	Positive ↔ Negative
Overheating Protection	Output derating

Connections

Input voltage	Negative	Pin 1	0V
Input voltage	Positive	Pin 2	48V③



Technical details		All models	30 cm	60 cm	90 cm	120 cm
Leds	Number of LEDs		12	24	36	48
	PWM frequency	920 Hz				
	LED current	350 mA				
Input	DC voltage Range	45,6..50,4 V				
	Maximum Power		17 W	33 W	50 W	66 W
	Standby Power		3,7 mW	6,8 mW	10,0 mW	13,2 mW
Protection	Over Current	Input protected by unrecoverable fuse				
	Over Voltage	Input protected by TVS diode				
	Over Temperature	50°C (Output derating)				
	Withstand Voltage	I/P-O/P: 0,5kV				
Safety & EMC	Isolation Resistance	I/P-FG:>100Ω/ 500VDC/ 25°C/70% RH				
	EMI	EN55022 (CISPR22)				
	EMS IMMUNITY	EN55024, EN61000-4-2, 3, 4, 5, 6, 11				

Thermal Characteristics

The LED fixture must operate under proper environmental conditions and the operating ambient air temperature must NOT exceed the maximum given temperature.

It's not recommended to expose the module to direct sunlight or any other heat source.

Environmental characteristics

Storage temperature	-20 – +70°C
Operating temperature	-20 – +40°C
Operating humidity	10-95% RH
IP classification	IP66

Installation and Safety Information

Installation must be carried out under observation of the relevant regulations and standards. The following advice must be followed: See PDC600 controller manual for B2P system installation details.

- Use cable with minimum AWG 20 for the power leads.
- Please ensure the correct polarity of the leads.
- For outdoor or damp locations, be aware of the IP classification.

All above specifications must be met in order to qualify for the 3 year warranty.

Packaging

Model (cm)	30	60	90	120	
Box size (mm)	L x 80 x 68	420	720	1020	1320
Quantity each Box	1	1	1	1	
Weight each box(kg)	1,4	2,5	3,6	4,8	

Photometric Performance ④

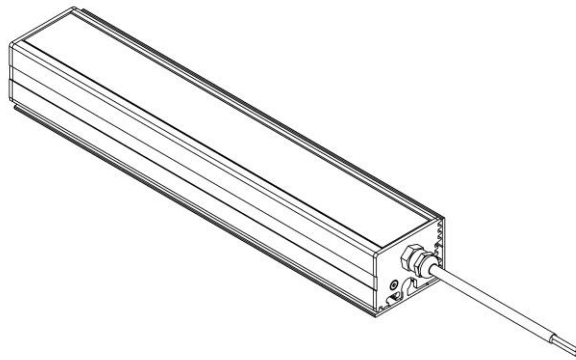
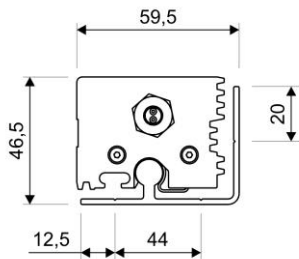
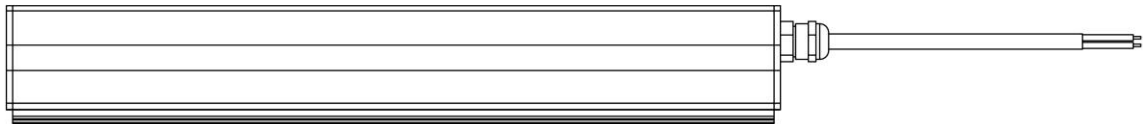
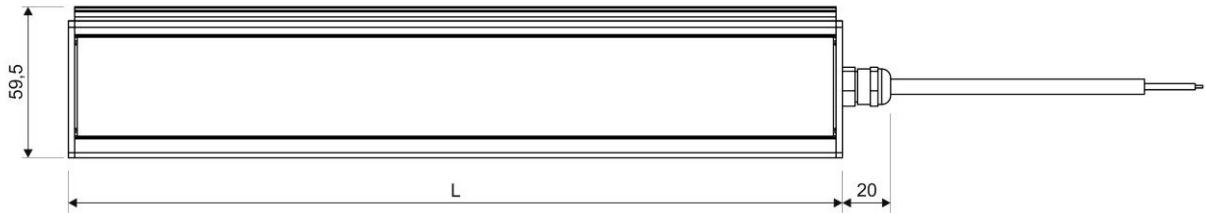
Red (lm)	90
Green (lm)	214
Royal Blue (lm)	30

System power supply

Maximum power	600W
---------------	------

Mechanical Dimensions

Model (cm)		30	60	90	120
Size (mm)	L x 59,5 x 46,5	306	606	906	1206



Part Numbering & Ordering Information

1. Version

10087 = 3 channel

2. LED color

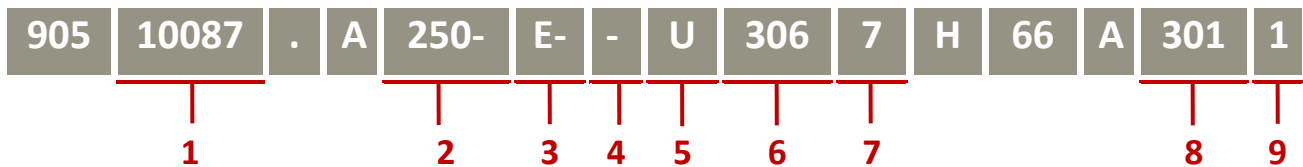
0 = Royal Blue
1 = Cyan
2 = Red
3 = Red-Orange
4 = Amber
5 = Green
6 = Blue
7 = Neutral White
8 = Warm White
9 = Cool White

3. Collimator

C = Narrow Beam 9°
D = Narrow Beam Frost 12°
E = Medium Beam Ripple 30°
F = Medium Beam Frost 18°
G = Wide Beam Ripple 45°
H = Wide Beam Frost 35°
K = Linebeam 48 x 10°
 Beam angle is FWHM White

4. Louvre

0 = With Louvre
 - = Without Louvre



5. Led colors

S = 1 Color
T = 2 Color
U = 3 Color

6. Length (L)

306 = 306 mm
606 = 606 mm
906 = 906 mm
1206 = 1206 mm

7. Finishing

7 = RAL9006 (standard)
 - = Custom

8. Cable length

301 = 3 m

9. Configuration

0 = Demo
1 = 0% light output
2 = 50% light output
3 = 100% light output

Example: 90510087.A250-E--U3067H66T3011

Explanation:

90510087	3 channel B2P Vincent line
.A	Revision
250-	Channel1 = Red, Channel2 = Green, Channel3 = Royal blue
E-	Medium Beam optics
-	No louvre
U	3 Colors
306	306 cm length (30 cm + end covers)
7	RAL9006
H	Hardened glass cover
66	IP66 protection
A	Connector on 1 side
301	3 m Cable length
1	No light output (0%) when no communication is applied